

T-REG

Integrated thermoregulator



We introduce a new concept on an integrated solution: T-REG – a plate heat exchanger combined with an electrical heater for various applications where electrical heating in combination with an additional heat exchanger is required (for example for temperature control units in the plastic molding industry). A compact solution was born which is based on one envelope for a complete range: up to 12 kW heating and 70 kW* cooling with a footprint of 250×200×80mm – no additional piping is needed between the heat exchanger and the electrical heater, which makes it to a plug and work solution.

*based on 20°C inlet temperature and 30 l/min cooling water



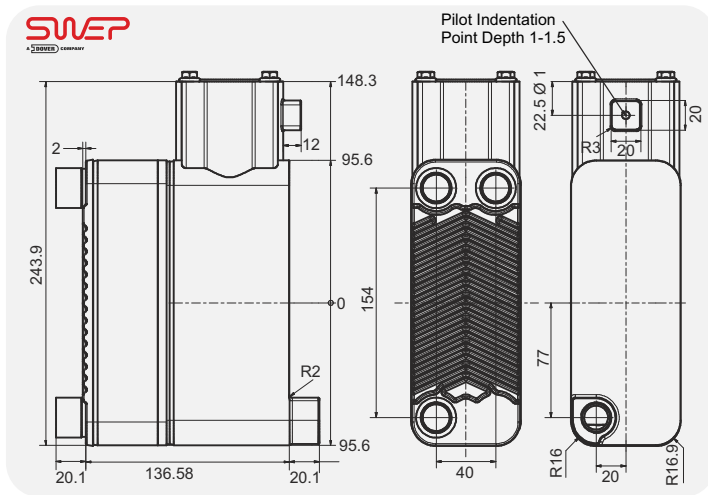
HT SpA - Via Conegliano, 73/B - 31058 Susegana (TV) - Italy - fax +39.0438.62788
Domestic Sales: tel. +39.0438.454294 - vendite@htspa.it
Export Sales: tel. +39.0438.454290 - sales@htspa.it
www.htspa.it



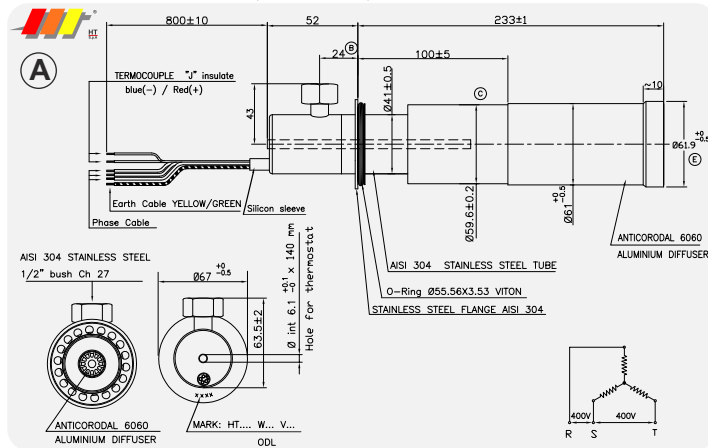
A DOVER COMPANY

SWEP International AB
Box 105, SE-261 22 Landskrona, Sweden
Tel. +46 (0)418 40 04 00, Fax -46 (0)418 292 95
info@swep.net, www.swep.net

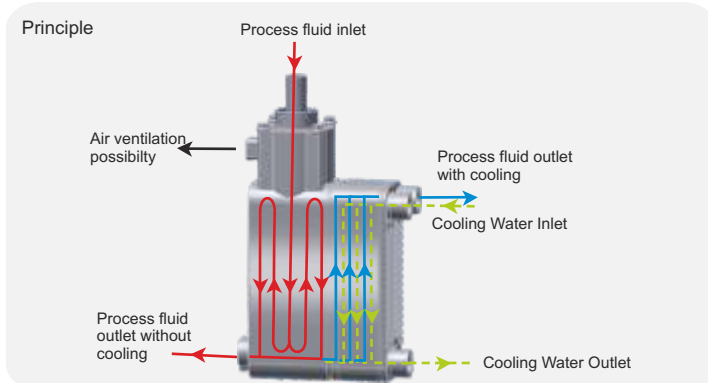
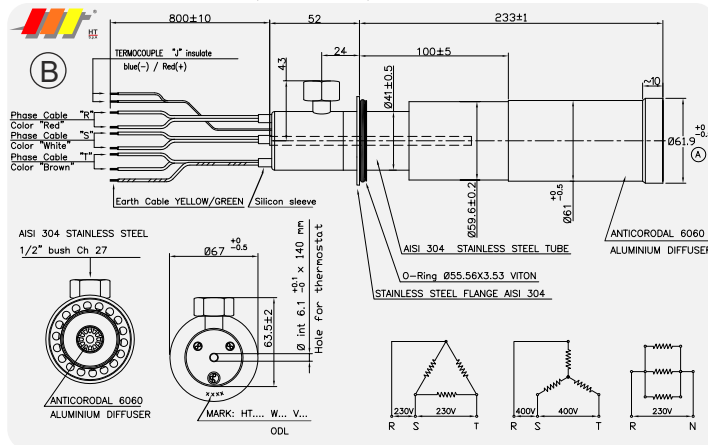
T-REG | Integrated thermoregulator



Heater code: YT53912, YT53914, YT53755



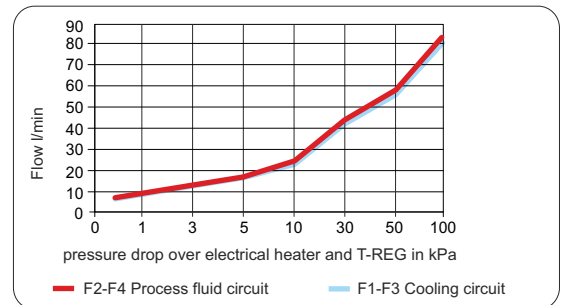
Heater code: YT57432, YT57433, YT57434



Range	Heater code	Watt	Volt	W/Cm ²
T-REG × 24	YT53912	6000	400 A	6
T-REG × 24	YT53914	9000	400 A	9.1
T-REG × 24	YT53755	12000	400 A	12.1

Range	Heater code	Watt	Volt	W/Cm ²
T-REG × 24	YT57432	6000	400 A - 230 Δ	6
T-REG × 24	YT57433	9000	400 A - 230 Δ	9.1
T-REG × 24	YT57434	12000	400 A - 230 Δ	12.1

WATT	A or B1			B2		B3
	380V	400V	420V	220V	230V	240V
5415	6000	6615	6615	5415	6000	6615
8123	9000	9923	9923	8123	9000	9923
10830	12000	13230	13230	10830	12000	13230



Design specification:

Heating mode:

- 6,9 or 12 kW heater
- Working condition: water at 140°C, 10 bar
- Heater only with a built-in type "J" Thermocouple

Cooling mode:

- Up to 70 kW cooling
- 20°C water inlet and 20 l/min
- 90°C water inlet and 45-50 l/min

Maximum working pressure:

16 bar on both circuit.

Channel plate measurement:

189 x 70 mm

Material specification:

BPHE parts in AISI 316 stainless steel:

- Channel plates, Start/End plates, Connections, Support plate

Frame in AISI 304 steel

Heater: Core pipe: AISI 304, Dissipator: aluminum

Port	Available connections
Process fluid outlet without cooling (P4)	ISO-G ½" A int
Process fluid outlet with cooling (F2)	ISO-G ½" A int
Cooling water inlet (F1)	ISO-G ½" A int
Cooling water outlet (F3)	ISO-G ½" A int

Air ventilation:

Possibility of draining unit from air by outlet on neck. Pilot indentation for possible use.

Max number of plates:

24 plates are used for all heater sizes 6, 9, 12 kW

Standard connection height:

20 mm



A DOVER COMPANY

www.swep.net



www.htspa.it