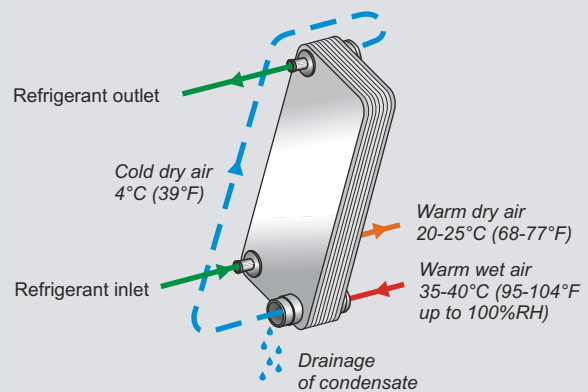
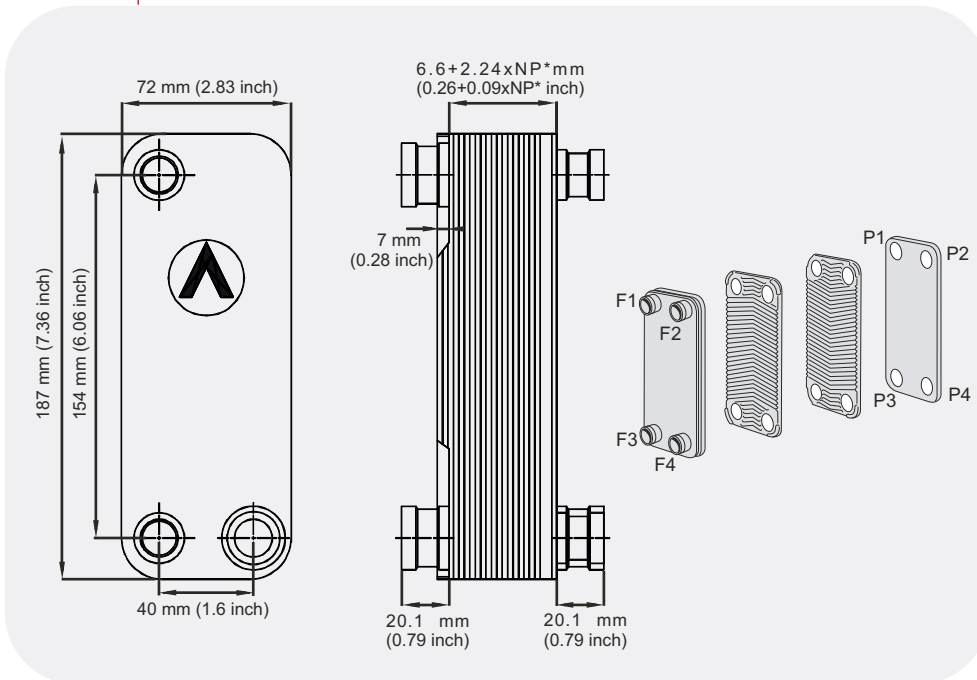


# B5 Air dryer



B5 Air-dryer combines cooling, condensing and heat recovery in one exchanger for low and moderate flow rates (4 Nm<sup>3</sup>/h). B5 Air-dryer combines extreme compactness with high heat transfer capacity in applications imposing high demands on dry, clean and conditioned air. The product is easy to customize, making it suitable for many different applications.

# M5 Air dryer



## The AD-line – our air dryer CBEs

SWEP's AD models deliver dry, high-quality air with a dewpoint down to nearly 0°C (32°F). The broad range meets a variety of special needs for capacities, high-pressure air, low pressure drop, etc. The AD features unique plate geometry with modular design and large manufacturing runs. We have even got AD models with asymmetrical plate geometry for optimum heat transfer at different flow rates.

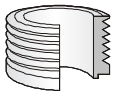
## Easy to choose the right product solution

With SWEP's unique SSP CBE, the SWEP Software Package, you can do advanced heat transfer calculations yourself, and choose the product solution that suits your application best. It's also easy to choose connections and generate drawings of the complete product. If you would like advice, or you would like to discuss different product solutions, SWEP offers all the service and support you need.

If you would like more information about B5 Air Dryer or our other products, please contact your local SWEP representative.

## Standard connections

For specific dimensions, or information about other types of connections, please contact your SWEP sales representative.



Externally threaded



Soldering connections

## Technical data

Max flow rate	120 Nm <sup>3</sup> /h
Max working pressure at 155°C (311°F)	31 bar (450 psi) or 45 bar (653 psi)
Max working pressure at 225°C (437°F)	27 bar (392 psi) or 42 bar (609 psi)
Min working temperature	-196°C (-321°F)
Test pressure	50 bar (725 psi)
Max. Number of plates	60
CBE weight dry (approx.)	0.80+0.044×NP* kg (1.80+0.097×NP* lb)
Hold-up volume: inner circuit	0.024×(NP*/2-1) liter (0.063×(NP*/2-1) gal.)
Hold-up volume: outer circuit	0.024×NP*/2 liter (0.063×NP*/2 gal.)
Standard connection size	3/4"; 22U
Connection height	20.1 mm (0.79 inch)

\*NP = Number of plates

## Material

Parts in contact with fluid:	EN 10028/7-1.4401 (AISI 316)
Parts not in contact with fluid:	EN 10028/7-1.4301 (AISI 304)
Brazing material:	Pure copper
Connection material:	EN 10272-1.4401 (AISI 316)

## Third/party approvals (selection)

Europe, Pressure Equipment Directive (PED 97/23/EC)

USA, Underwriters Laboratories (UL)

Canada, Canadian Standard Association (CSA)

Japan, The High Pressure Gas Safety Institute of Japan (KHK)

SWEP reserves the right to make changes without prior notice

**SWEP**  
A DOVER COMPANY

www.swep.net